



Antenna Datasheet

Product OC: YECW000N1A

Version: 1.2

Date: 2024-04-18

Status: Released

Product Name: External Antenna

Key Features:

Optimized for LPWA

High-efficiency external antenna

Low-profile antenna

Frequency band: 450–470 MHz & 700–960 MHz & 1710–2690 MHz

Efficiency: Up to 60 % (FS)

Dimensions: 150 mm × 50 mm × 36.5 mm

RoHS compliant

Overview

This Quectel external 4G antenna covers main 4G LTE bands and is compatible with 3G/2G/LPWA bands as well. The external antenna is barely influenced by the internal environment of devices, giving a much better performance in efficiency, radiation and gain whilst providing an optimized solution for a customer product. Quectel also offers flexible installation with custom cable length and connector options.

Contents

Overview.....	1
Contents.....	2
1 Specification.....	3
1.1. Electrical.....	3
1.2. Supported Bands	4
1.3. Mechanical & Environmental	6
2 Drawing	7
3 Detailed Performance	8
3.1. S-Parameter Test	8
3.1.1. VSWR.....	8
3.1.2. Return Loss	9
3.2. Radiation Performance Test.....	10
3.2.1. Efficiency	10
3.2.2. Average Gain	11
3.2.3. Peak Gain.....	12
3.2.4. 3D & 2D Radiation Pattern.....	13
3.2.4.1. Test Condition: Free Space	13
3.2.4.2. Test Condition: On 500 mm × 500 mm Metal Plane	17
4 Packaging	21
Contact Us.....	23
Legal Notices	24
Revision History	26

1 Specification

Test Condition: Free Space & On 500 mm × 500 mm Metal Plane

1.1. Electrical

Electrical	
Frequency Range	450–470 MHz & 700–960 MHz & 1710–2690 MHz
Impedance	50 Ω
Polarization	Linear
Radiation Pattern	Omni-directional

Electrical - Detail									
SPEC	Band	Band	B31 /B72	B12 /B13 /B28	B5 /B8 /B26	B1 /B2 /B3	B40	Wi-Fi 2G	B38 /B41
		Freq. (MHz)	450 – 470	700 – 810	820 – 960	1700 – 2170	2300 – 2400	2400 – 2500	2500 – 2690
Max VSWR	FS		3.4	2.1	2.9	2.1	2.2	2.0	2.2
	MP		2.8	2.7	3.5	2.0	2.2	2.0	2.2
Max Return Loss (dB)	FS		-5.2	-9.0	-6.3	-8.9	-8.7	-9.3	-8.7
	MP		-6.5	-6.8	-5.2	-9.7	-8.5	-9.4	-8.5
AVG Eff. (%)	FS		28.4	53.9	42.6	45.6	37.1	36.1	35.5
	MP		43.5	46.4	30.2	48.9	40.3	38.1	33.4
AVG AVG Gain (dB)	FS		-5.6	-2.7	-3.7	-3.4	-4.3	-4.4	-4.5
	MP		-3.6	-3.4	-5.3	-3.1	-4.0	-4.2	-4.8

Max Peak Gain (dBi)	FS	2.8	3.6	2.9	2.8	2.1	1.9	1.8	
	MP	1.3	1.4	1.1	5.1	4.9	5.0	5.2	
VSWR	FS							≤ 3.4	
	MP							≤ 3.5	
Return Loss	FS							≤ -5.2 dB	
	MP							≤ -5.2 dB	
Peak Gain	FS							≤ 3.6 dBi	
	MP							≤ 5.2 dBi	

- FS: Free Space
- MP: On 500 mm × 500 mm Metal Plane

1.2. Supported Bands

5G NR / LTE / LTE-Advanced / WCDMA / HSPA / HSPA+ / GPRS / GSM / NB-IoT				
Band	Frequency (MHz)	Uplink (MHz)	Downlink (MHz)	Covered
1	2100	1920–1980	2110–2170	√
2	1900	1850–1910	1930–1990	√
3	1800	1710–1785	1805–1880	√
4	1700	1710–1755	2110–2155	√
5	850	824–849	869–894	√
7	2600	2500–2570	2620–2690	√
8	900	880–915	925–960	√
9	1800	1749.9-1784.9	1844.9-1879.9	√
11	1500	1427.9–1447.9	1475.9–1495.9	-
12	700	699–716	729–746	√
13	700	777–787	746–756	√
14	700	788–798	758–768	√

17	700	704–716	734–746	√
18	850	815–830	860–875	√
19	850	830–845	875–890	√
20	800	832–862	791–821	√
21	1500	1447.9–1462.9	1495.9–1510.9	-
22	3500	3410–3490	3510–3590	-
23	2100	2000–2020	2180–2200	√
24	1600	1626.5–1660.5	1525–1559	-
25	1900	1850–1915	1930–1995	√
26	850	814–849	859–894	√
28	700	703–748	758–803	√
31	450	452.5–457.5	462.5–467.5	√
34	2100	2010–2025		√
38	2600	2570–2620		√
39	1900	1880–1920		√
40	2300	2300–2400		√
41	2500	2496–2690		√
42	3500	3400–3600		-
48	3500	3550–3700		-
66	1700	1710–1780	2110–2200	√
71	600	663–698	617–652	-
74	1500	1427–1470	1475–1518	-
77	3500	3300–4200		-
78	3500	3300–3800		-
79	4500	4400–5000		-

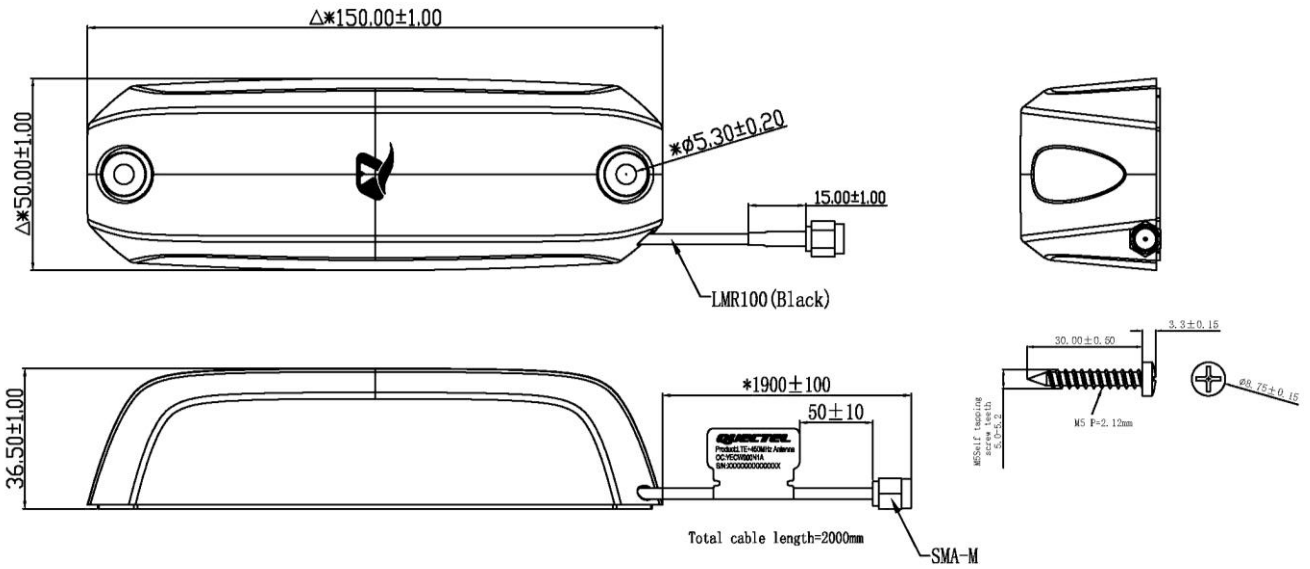
Note:

- Covered √ means efficiency > 20 %.

1.3. Mechanical & Environmental

Mechanical	
Antenna Dimensions	150 mm × 50 mm × 36.5 mm
Material & Color	PC + ABS & Black
Cable Type & Color & Length	LMR100 & BLACK & 2000 mm
Connector Type	SMA Male
Mounting Type	Screw
Weight	Typ. 110.4 g
Environmental	
Operation Temperature	-40 °C to +85 °C
Storage Temperature	-40 °C to +85 °C
RoHS Compliant	Yes

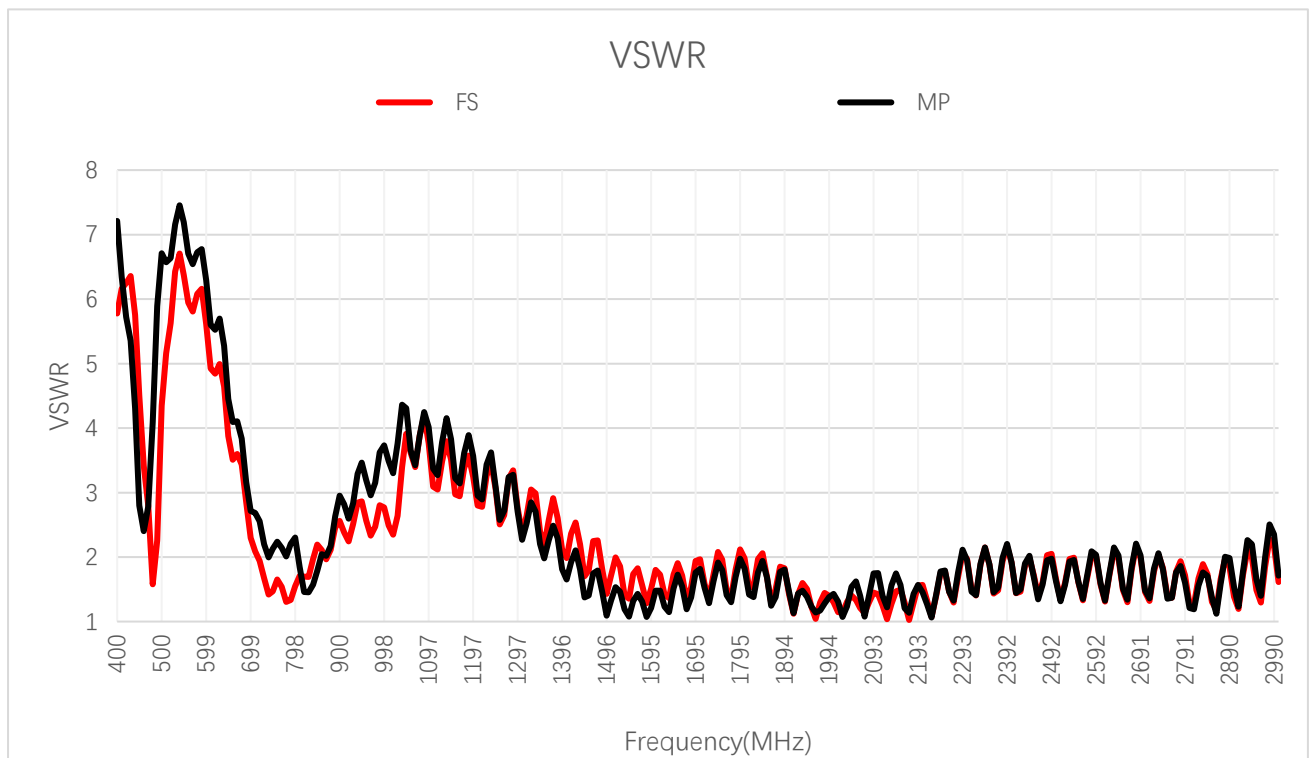
2 Drawing



3 Detailed Performance

3.1. S-Parameter Test

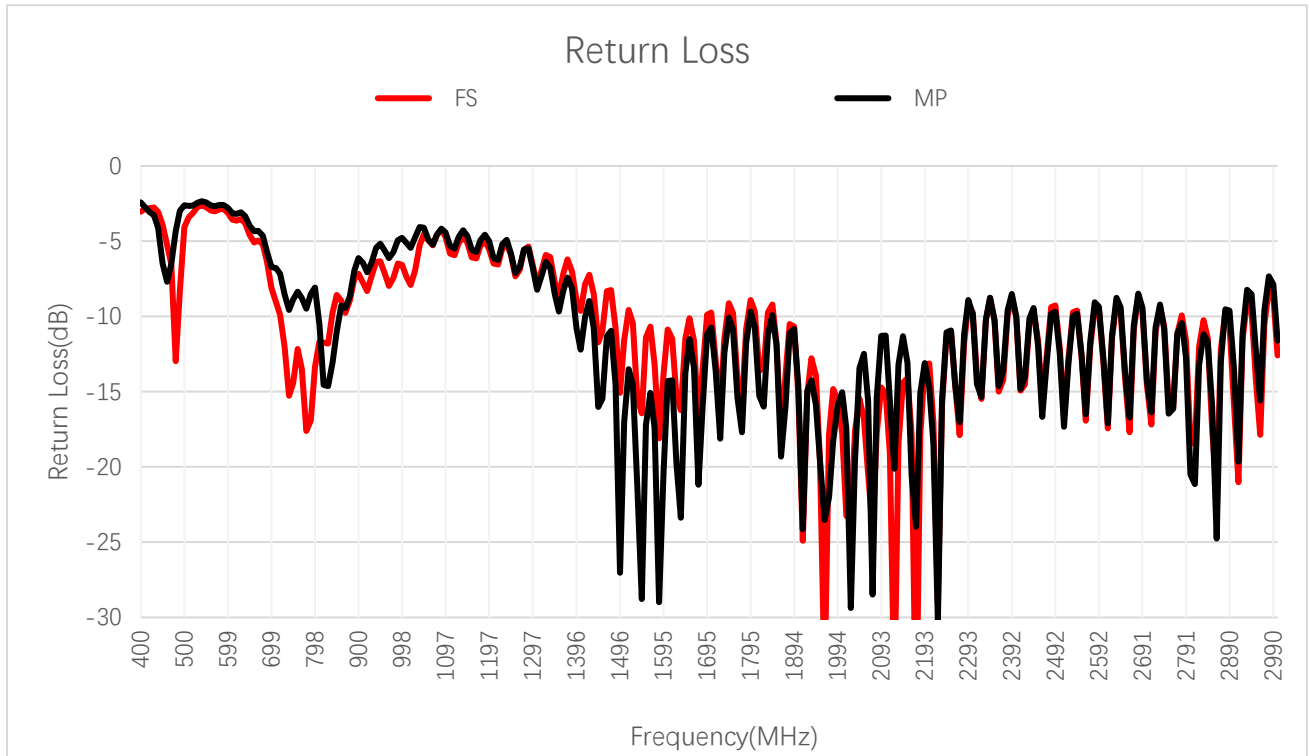
3.1.1. VSWR



VSWR

Frequency (MHz)	450	470	710	830	900	1740	1950	2140	2350	2600
FS	4.5	2.8	2.1	1.7	2.6	2.1	1.2	1.5	1.9	1.6
MP	2.8	2.8	2.7	1.5	3.0	1.9	1.2	1.7	1.9	1.6

3.1.2. Return Loss

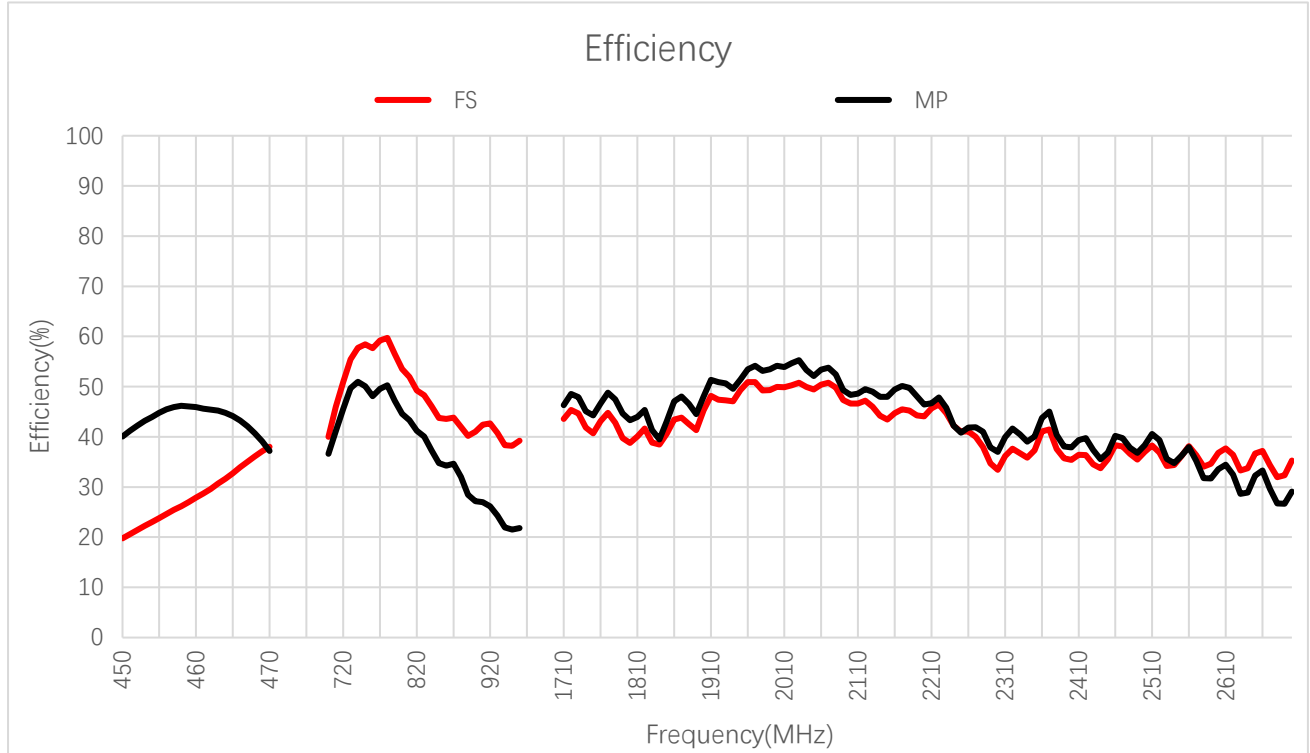


Return Loss (dB)

Frequency (MHz)	450	470	710	830	900	1740	1950	2140	2350	2600
FS	-3.9	-6.5	-9.0	-11.8	-7.2	-9.1	-19.8	-14.4	-10.3	-13.0
MP	-6.5	-6.5	-6.8	-14.6	-6.1	-10.1	-19.7	-11.3	-10.2	-12.8

3.2. Radiation Performance Test

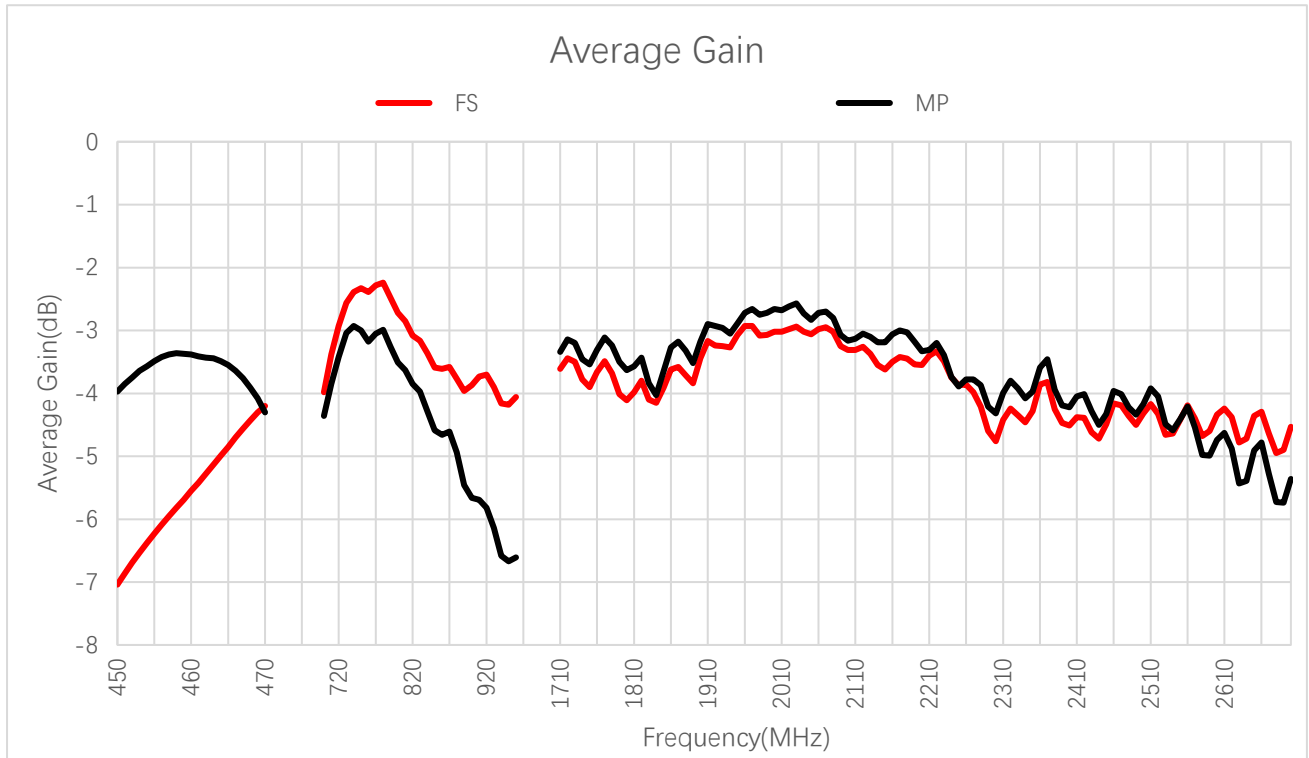
3.2.1. Efficiency



Efficiency (%)

Frequency (MHz)	450	470	710	830	900	1740	1950	2140	2350	2600
FS	19.8	38.0	46.0	48.3	41.0	41.8	49.3	44.2	37.3	36.8
MP	40.1	37.2	41.2	40.1	27.2	45.1	51.4	48.0	40.1	33.6

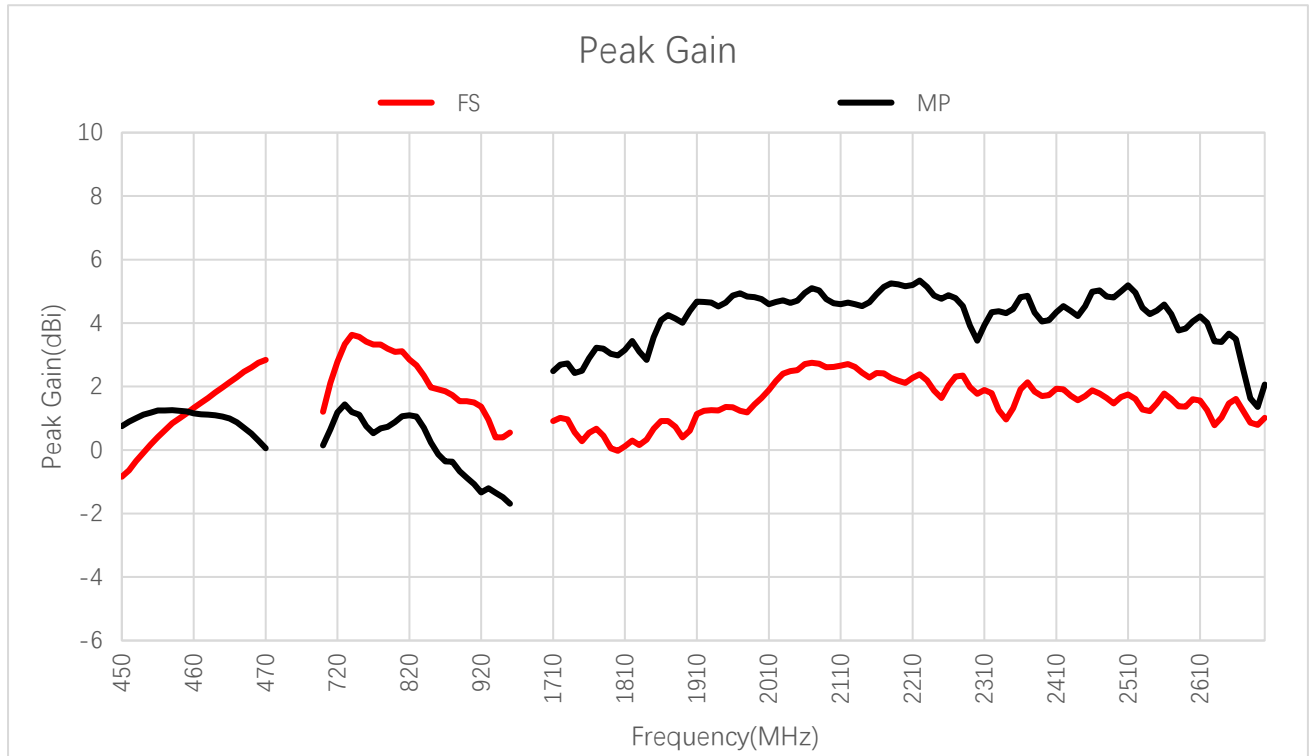
3.2.2. Average Gain



Average Gain (dB)

Frequency (MHz)	450	470	710	830	900	1740	1950	2140	2350	2600
FS	-7.0	-4.2	-3.4	-3.2	-3.9	-3.8	-3.1	-3.6	-4.3	-4.3
MP	-4.0	-4.3	-3.9	-4.0	-5.7	-3.5	-2.9	-3.2	-4.0	-4.7

3.2.3. Peak Gain



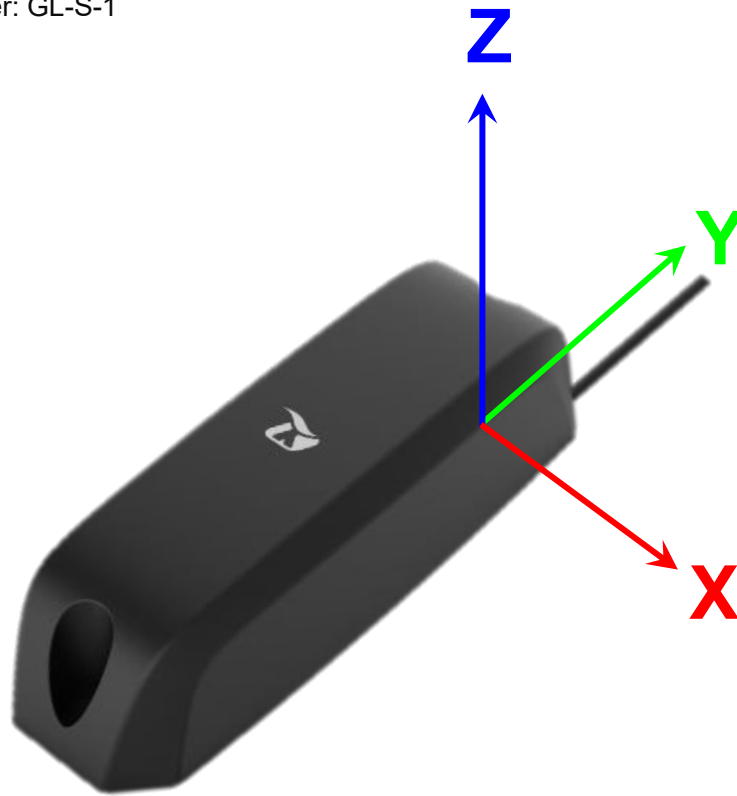
Peak Gain (dBi)

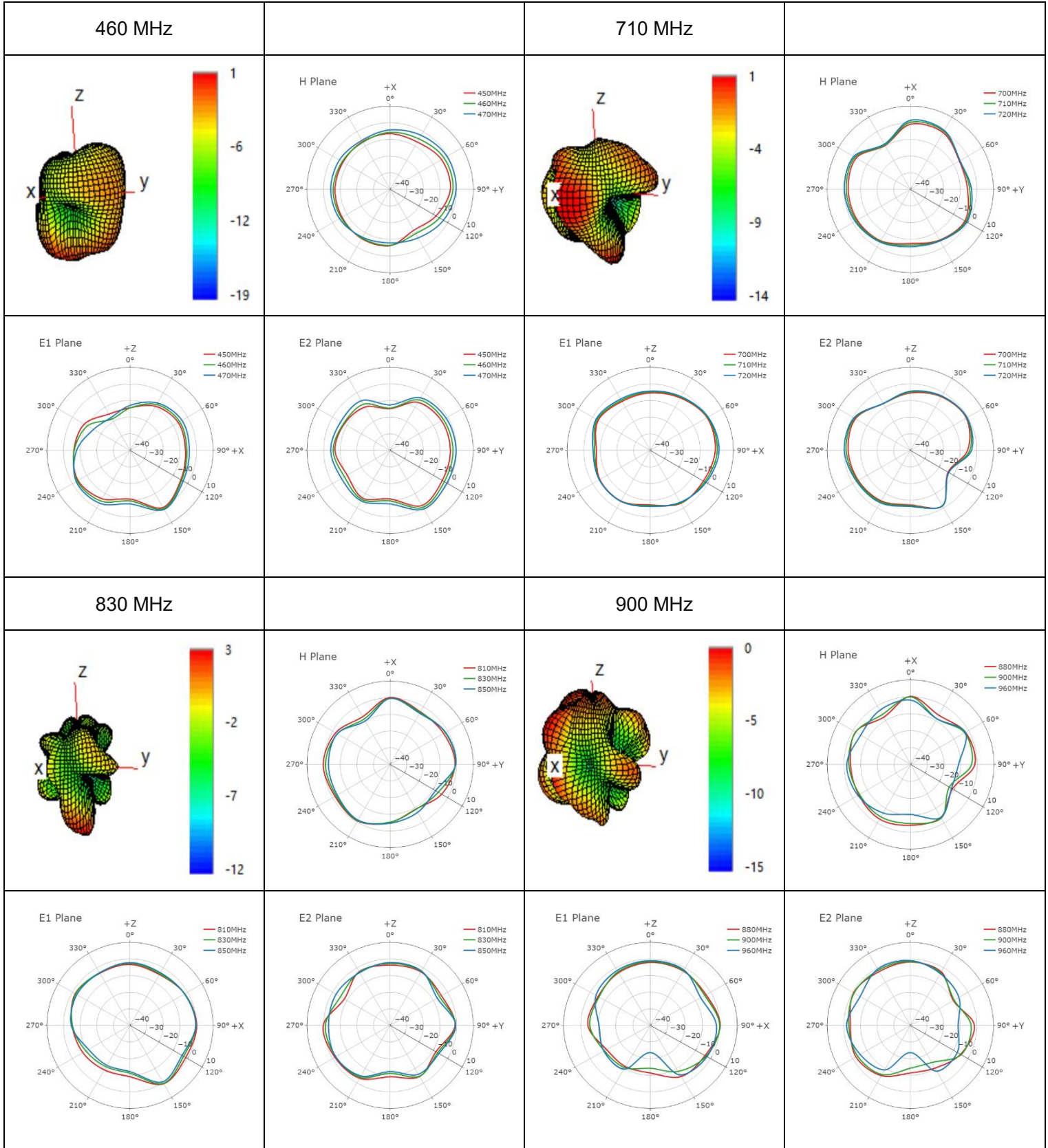
Frequency (MHz)	450	470	710	830	900	1740	1950	2140	2350	2600
FS	-7.0	-4.2	2.1	2.7	1.5	0.6	1.4	2.4	1.3	1.6
MP	-4.0	-4.3	0.7	1.1	-0.9	2.4	4.7	4.5	4.4	4.1

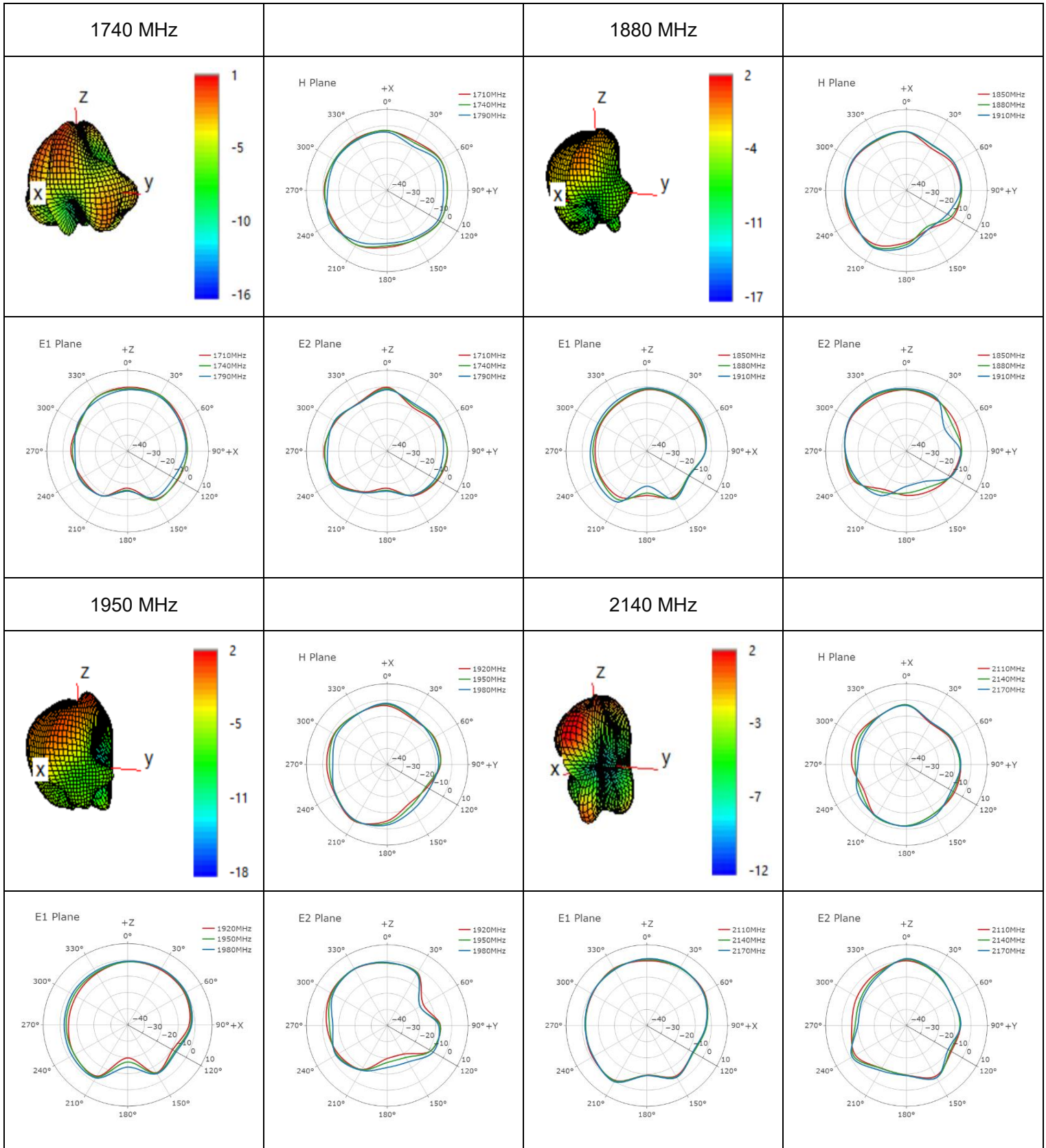
3.2.4. 3D & 2D Radiation Pattern

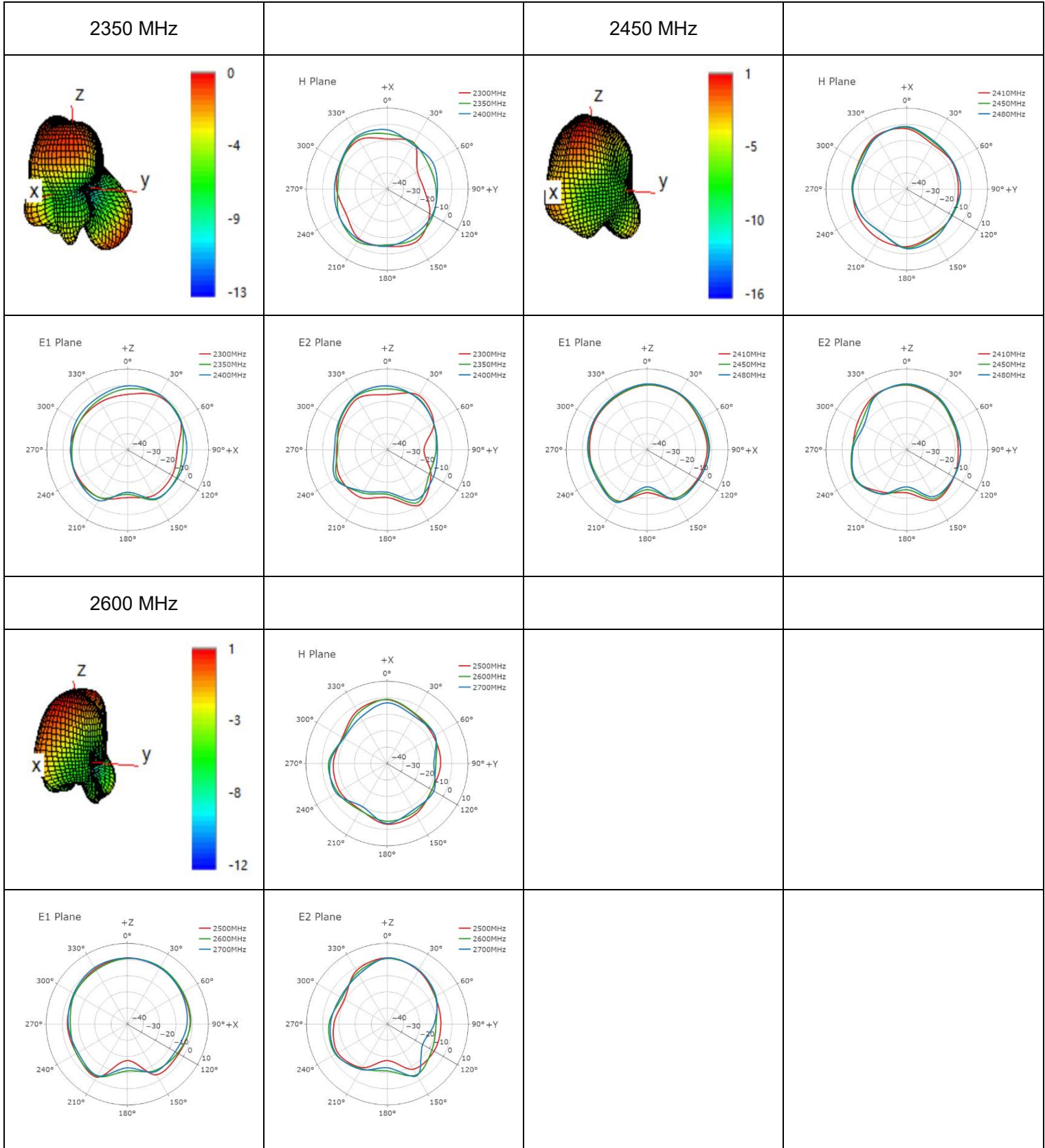
3.2.4.1. Test Condition: Free Space

- Test Chamber: GL-S-1



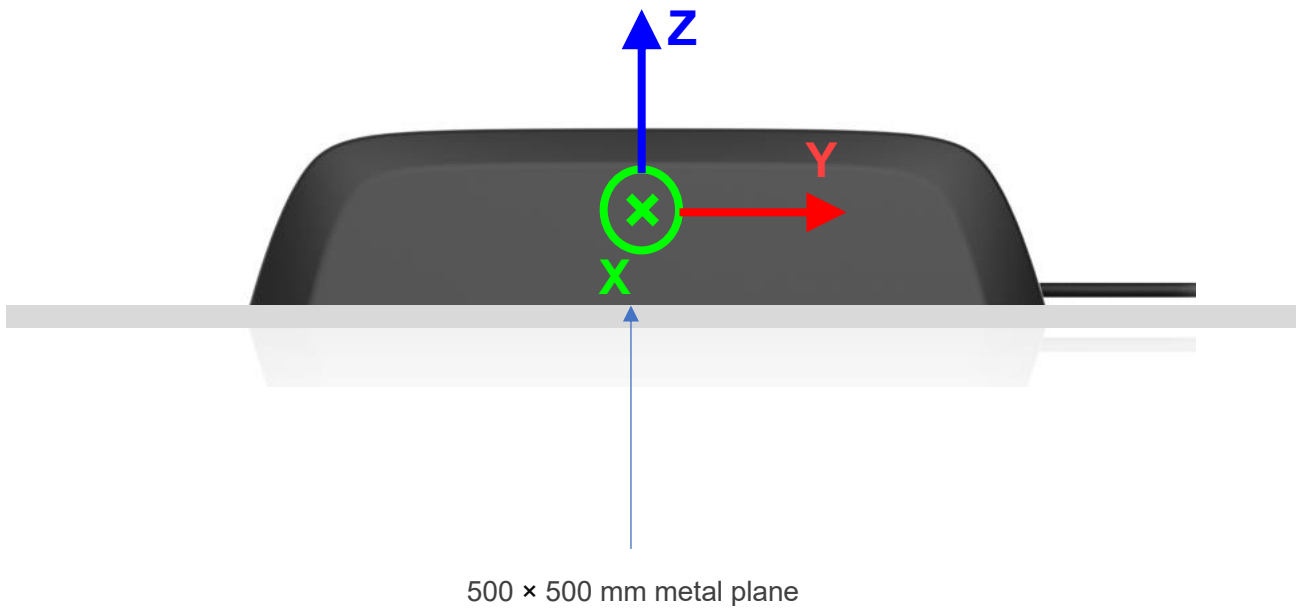


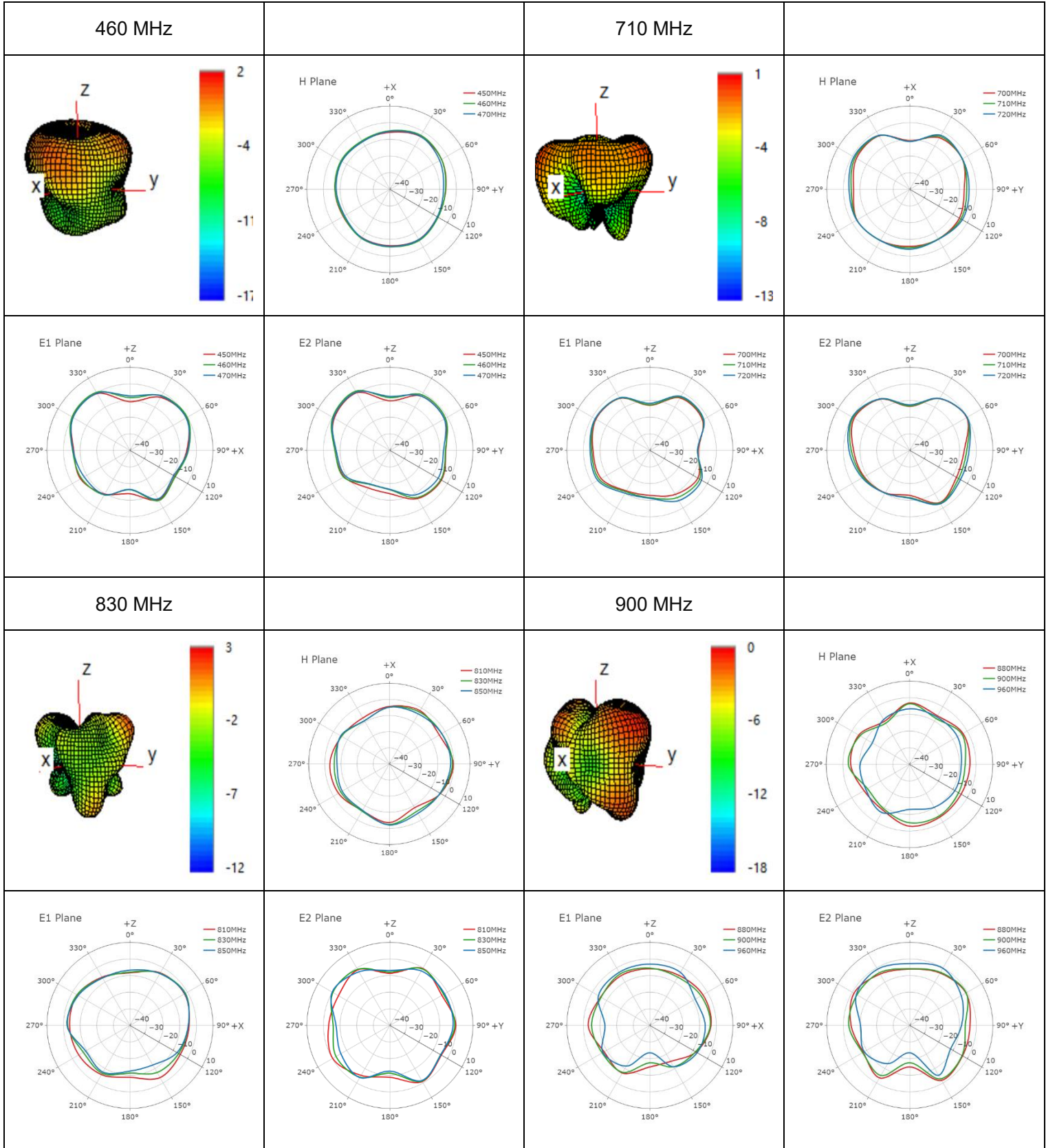


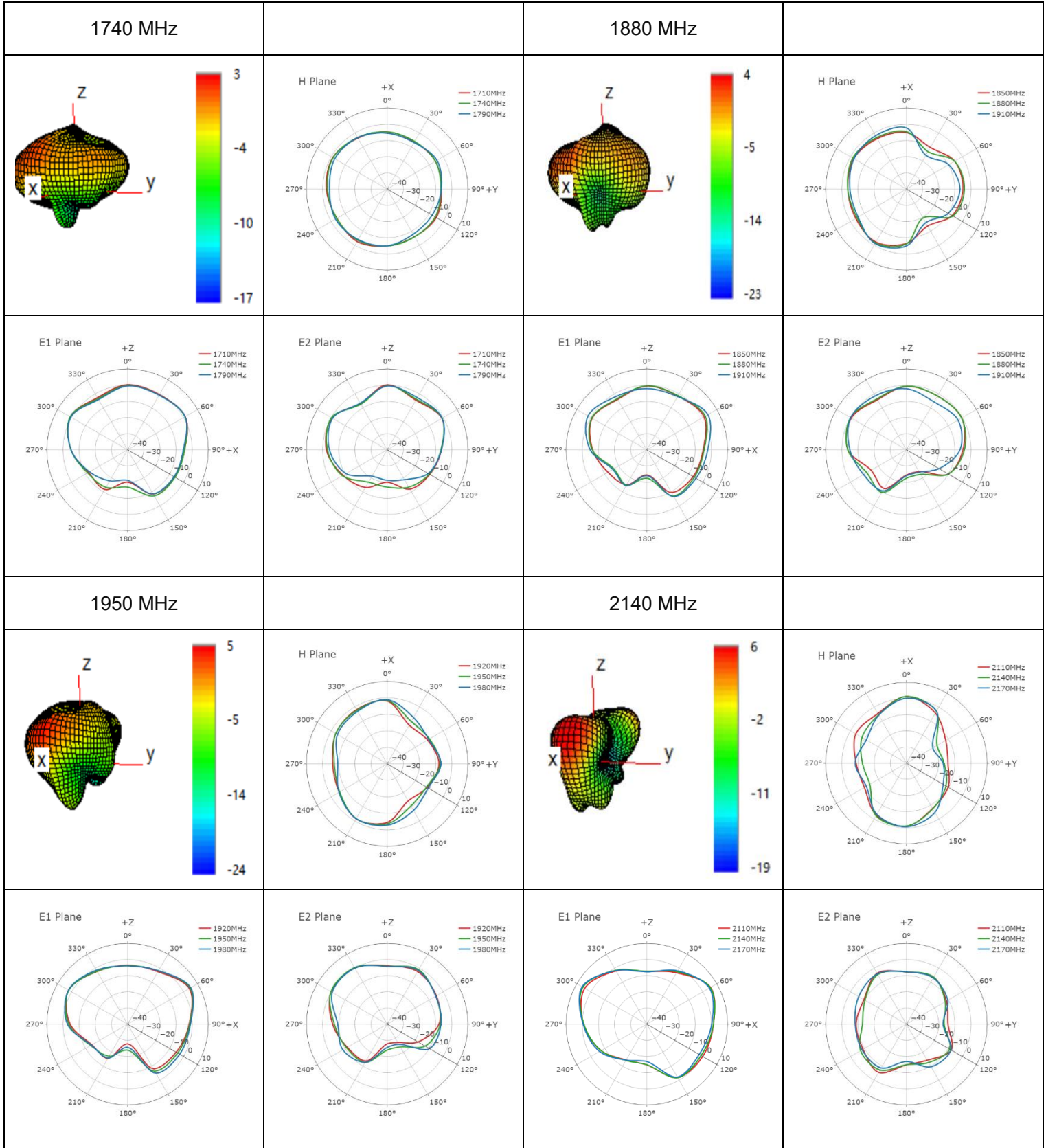


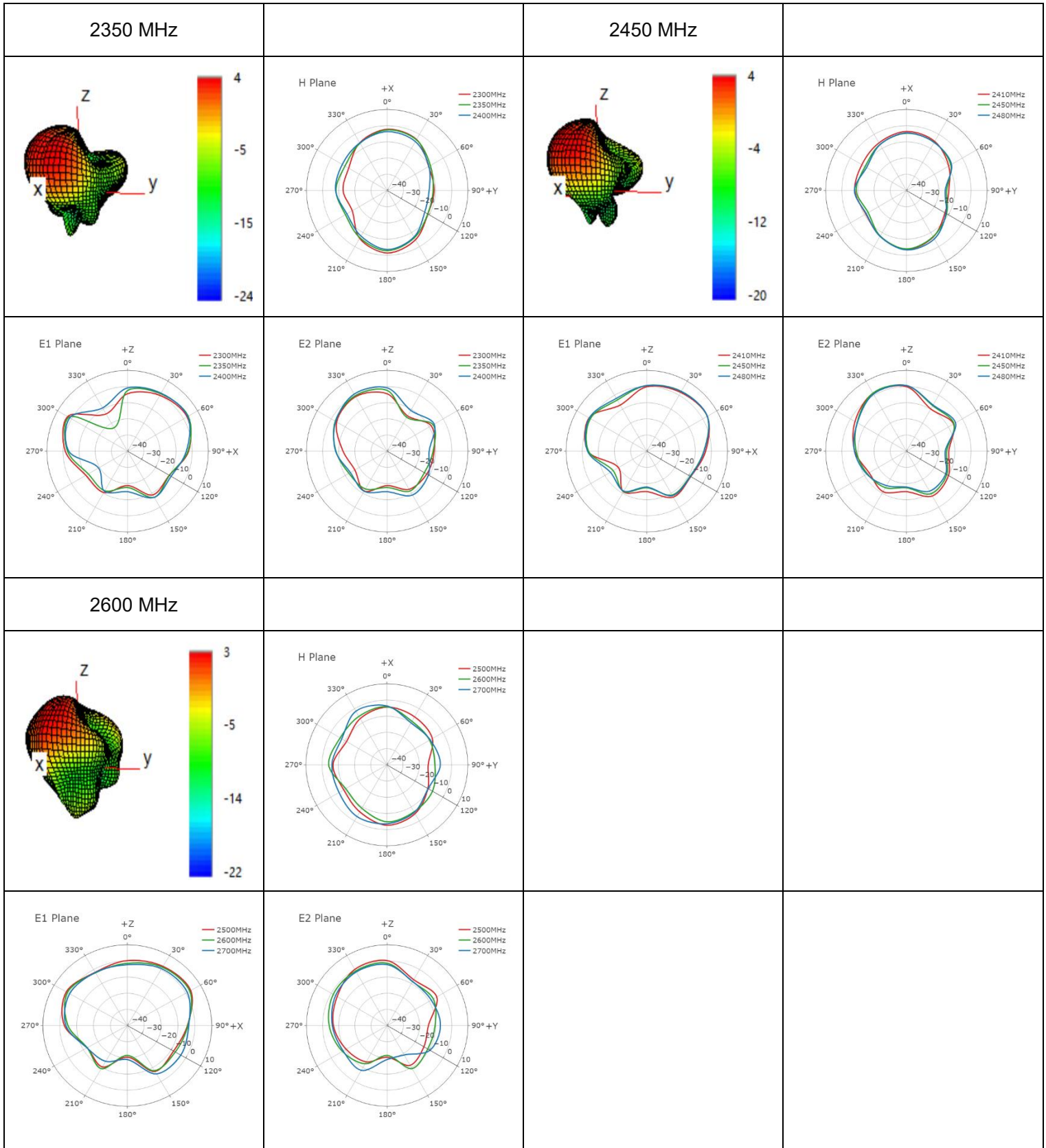
3.2.4.2. Test Condition: On 500 mm × 500 mm Metal Plane

- Test Chamber: GL-S-1

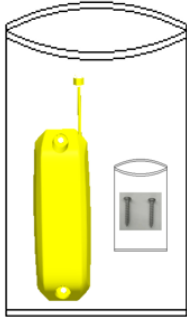
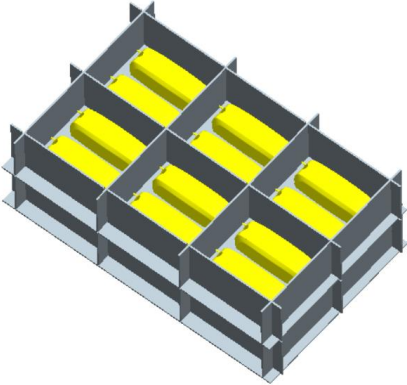
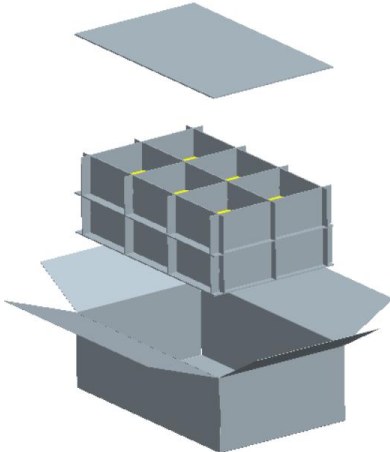


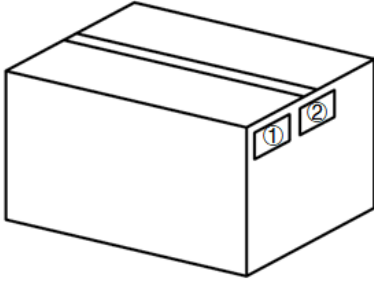
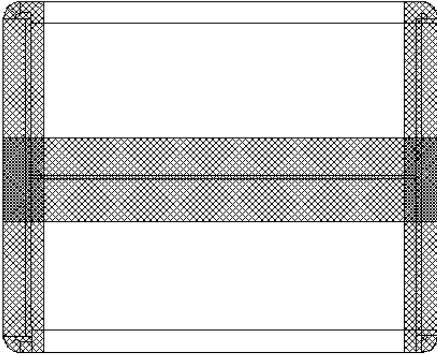






4 Packaging

Step	Packaging Picture / 2D Picture	Description
1		<p>1 pc antenna product in a bubble bag. (1 PC Antenna / Bubble Bag)</p>
2		<p>The products are put into the knife card surface, the cavity of each knife card is loaded with 2 products, and a layer of knife card is loaded with 12 products.</p>
3		<p>Place a flapboard at the bottom and top. Put 2 layers of stack knife cards. (24 PCS Antennas / Carton Box)</p> <p><u>Carton Size:</u> <u>L × W × H= 550 × 350 × 210 mm</u></p>

4		<p>Position for Attaching Labels</p> <ul style="list-style-type: none">① Carton Label② Quality Label
5		<p>Sealing Cartons</p> <p>“I” type sealing cartons</p>

Contact Us

At Quectel, our aim is to provide timely and comprehensive services to our customers. If you require any assistance, please contact our headquarters:

Quectel Wireless Solutions Co., Ltd.

Building 5, Shanghai Business Park Phase III (Area B), No.1016 Tianlin Road, Minhang District, Shanghai 200233, China

Tel: +86 21 5108 6236

Email: info@quectel.com

Or our local offices. For more information, please visit:

<http://www.quectel.com/support/sales.htm>.

For technical support, or to report documentation errors, please visit:

<http://www.quectel.com/support/technical.htm>.

Or email us at: support@quectel.com.

Legal Notices

We offer information as a service to you. The provided information is based on your requirements and we make every effort to ensure its quality. You agree that you are responsible for using independent analysis and evaluation in designing intended products, and we provide reference designs for illustrative purposes only. Before using any hardware, software or service guided by this document, please read this notice carefully. Even though we employ commercially reasonable efforts to provide the best possible experience, you hereby acknowledge and agree that this document and related services hereunder are provided to you on an “as available” basis. We may revise or restate this document from time to time at our sole discretion without any prior notice to you.

Use and Disclosure Restrictions

License Agreements

Documents and information provided by us shall be kept confidential, unless specific permission is granted. They shall not be accessed or used for any purpose except as expressly provided herein.

Copyright

Our and third-party products hereunder may contain copyrighted material. Such copyrighted material shall not be copied, reproduced, distributed, merged, published, translated, or modified without prior written consent. We and the third party have exclusive rights over copyrighted material. No license shall be granted or conveyed under any patents, copyrights, trademarks, or service mark rights. To avoid ambiguities, purchasing in any form cannot be deemed as granting a license other than the normal non-exclusive, royalty-free license to use the material. We reserve the right to take legal action for noncompliance with abovementioned requirements, unauthorized use, or other illegal or malicious use of the material.

Trademarks

Except as otherwise set forth herein, nothing in this document shall be construed as conferring any rights to use any trademark, trade name or name, abbreviation, or counterfeit product thereof owned by Quectel or any third party in advertising, publicity, or other aspects.

Third-Party Rights

This document may refer to hardware, software and/or documentation owned by one or more third parties (“third-party materials”). Use of such third-party materials shall be governed by all restrictions and obligations applicable thereto.

We make no warranty or representation, either express or implied, regarding the third-party materials, including but not limited to any implied or statutory, warranties of merchantability or fitness for a particular purpose, quiet enjoyment, system integration, information accuracy, and non-infringement of any third-party intellectual property rights with regard to the licensed technology or use thereof. Nothing herein constitutes a representation or warranty by us to either develop, enhance, modify, distribute, market, sell, offer for sale, or otherwise maintain production of any our products or any other hardware, software, device, tool, information, or product. We moreover disclaim any and all warranties arising from the course of dealing or usage of trade.

Privacy Policy

To implement module functionality, certain device data are uploaded to Quectel's or third-party's servers, including carriers, chipset suppliers or customer-designated servers. Quectel, strictly abiding by the relevant laws and regulations, shall retain, use, disclose or otherwise process relevant data for the purpose of performing the service only or as permitted by applicable laws. Before data interaction with third parties, please be informed of their privacy and data security policy.

Disclaimer

- a) We acknowledge no liability for any injury or damage arising from the reliance upon the information.
- b) We shall bear no liability resulting from any inaccuracies or omissions, or from the use of the information contained herein.
- c) While we have made every effort to ensure that the functions and features under development are free from errors, it is possible that they could contain errors, inaccuracies, and omissions. Unless otherwise provided by valid agreement, we make no warranties of any kind, either implied or express, and exclude all liability for any loss or damage suffered in connection with the use of features and functions under development, to the maximum extent permitted by law, regardless of whether such loss or damage may have been foreseeable.
- d) We are not responsible for the accessibility, safety, accuracy, availability, legality, or completeness of information, advertising, commercial offers, products, services, and materials on third-party websites and third-party resources.

Copyright © Quectel Wireless Solutions Co., Ltd. 2024. All rights reserved.

Revision History

Version	Date	Author	Note
-	2023-05-18	Andy YAN/ Bailey ZHANG/ David LIU/ Aria CHU	Creation of the document
1.0	2023-05-18	Andy YAN/ Bailey ZHANG/ David LIU/ Aria CHU	First official release
1.1	2023-09-01	Bailey ZHANG	Updated the drawing (Chapter 2).
1.2	2024-04-18	David LIU	<ol style="list-style-type: none">Deleted the table about "Storage" and added the storage temperature (Chapter 1.2).Updated the drawing (Chapter 2).Updated the Packaging (Chapter 4)

QUECTEL

www.quectel.com